

**HOWARM**

# TV STAND ELECTRIC FIREPLACE

/ MODEL: IF-1336 SERIES

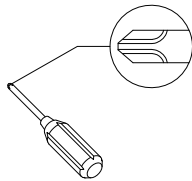
## USER MANUAL

B: TV stand cabinet

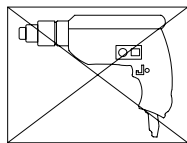


# General Assembly Guidelines

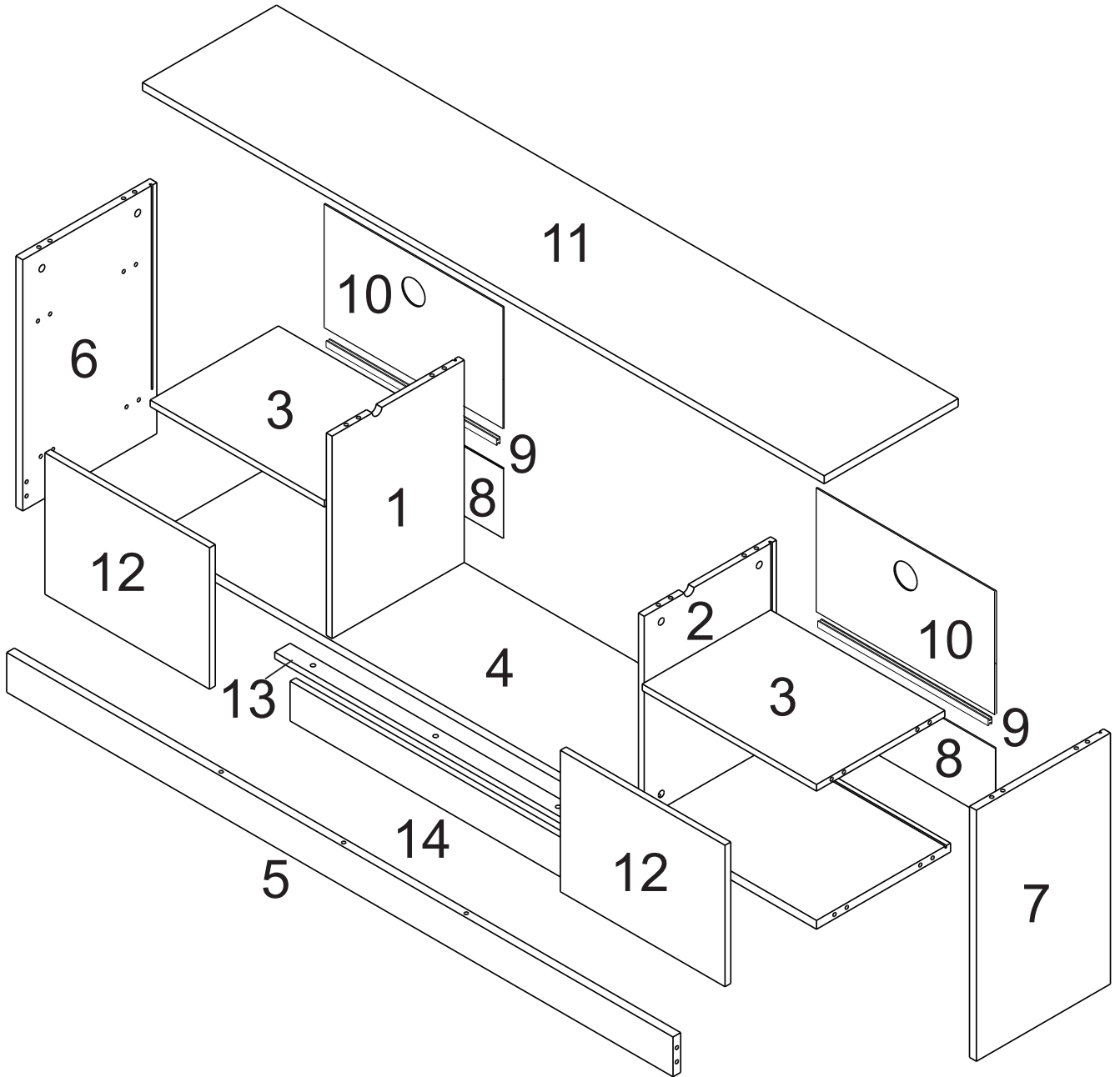
- I. Ensure that all parts and hardware are available before beginning assembly.
- II. Follow each step carefully to ensure the proper assembly of this product.
- III. Two people are recommended for ease in the assembly of this product.
- IV. The four main types of hardware used to assemble this product are: wood dowels, cam bolts and locks, bolts and screws.
- VI. A Phillips head screwdriver is required for the assembly of this product.



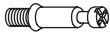


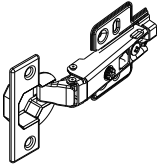



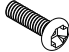

- VII. Power tools should not be used to assemble this product.








# Partes List



## Hardware List

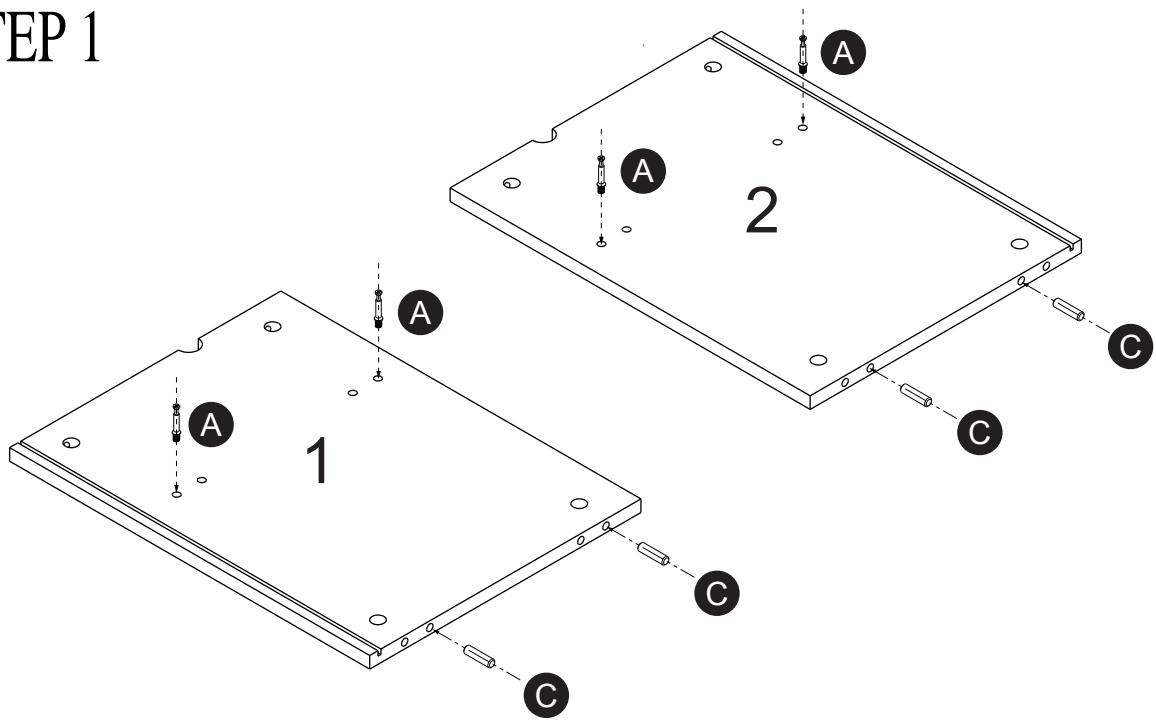
A			Cam lock	30 PCS
B			Cam bolt	30 PCS
C		Ø8x40mm	Wood dowel	25 PCS
D			Hinge	4 PCS
E			Hinge cover	4 PCS
F		Ø4x16mm	Medium screw	24 PCS
G		Ø4X30mm	Large screw	3 PCS
H		Ø 6x25mm	Bolt	3 PCS
L			Shim	3 PCS

### Wall mounting kit

PART #	IMAGE	DESCRIPTION	QTY.
AA		Mounting bracket	2
AB		Anchor	2
AC		Nylon strap	1
AD		Flat head screw, Ø4 x 15 mm	2
AE		Flat head screw, Ø4 x 30 mm	2

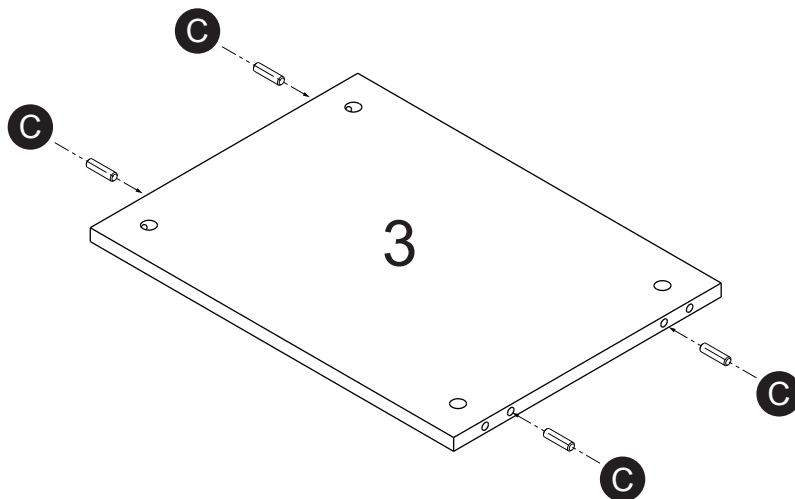
*The hardware quantities listed above are required for proper assembly.  
Some extra hardware may also have been included.*

## STEP 1



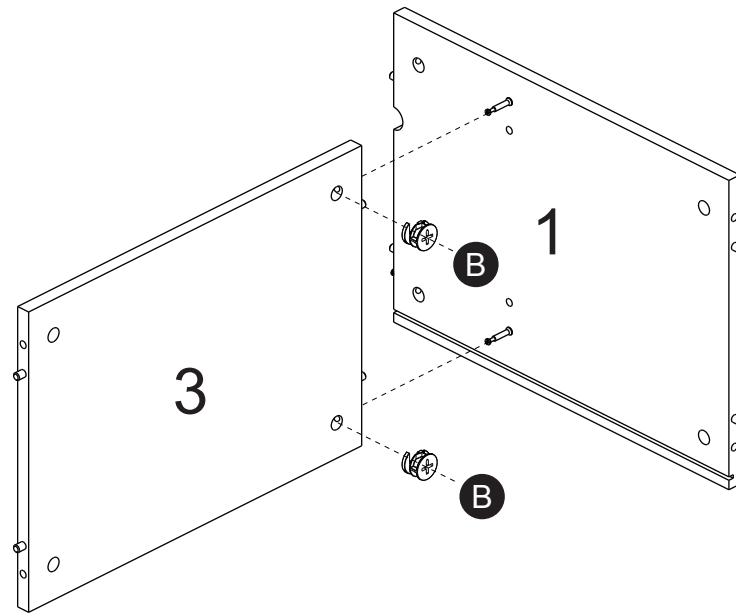
Attach male cam lock(A) and insert wood dowel(C) into part 1 and part 2.

## STEP 2



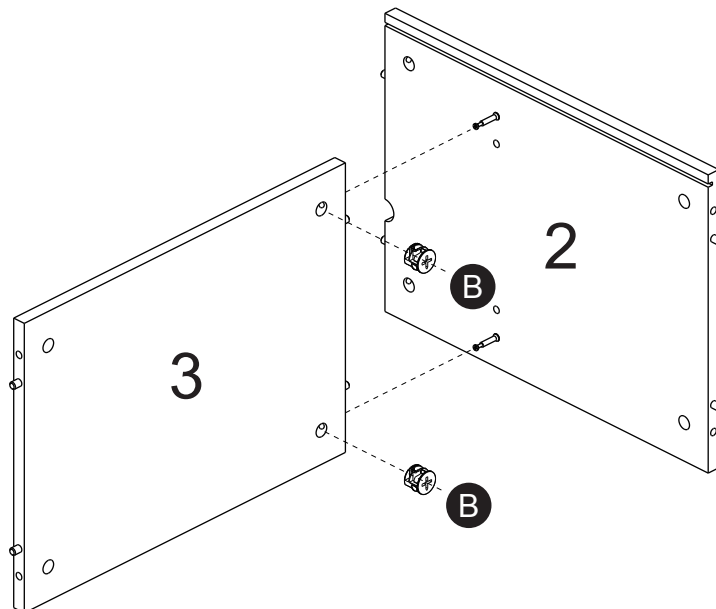
Insert wood dowel(C) into part 3.

## STEP 3



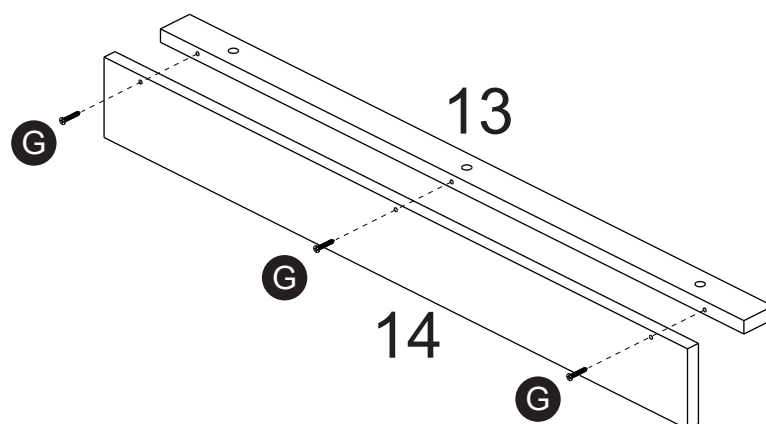
Attach part 1 to part 3, then insert and secure female cam lock(B) to part 3 to lock it.

## STEP 4



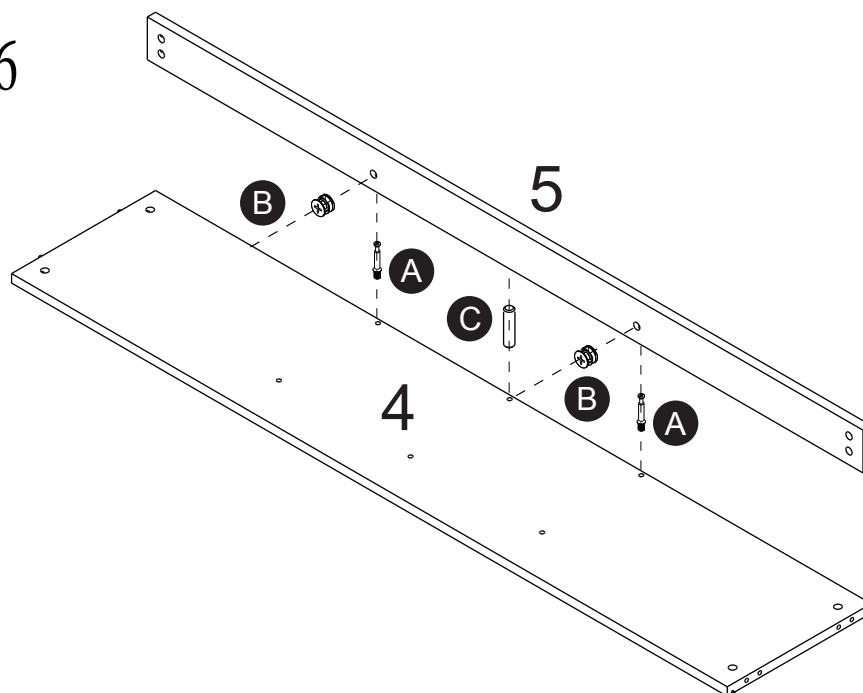
Attach part 2 to part 3, then insert and secure female cam lock(B) to part 3 to lock it.

## STEP 5



Attach part 13 to part 14 using large screw(G) with a screwdriver.

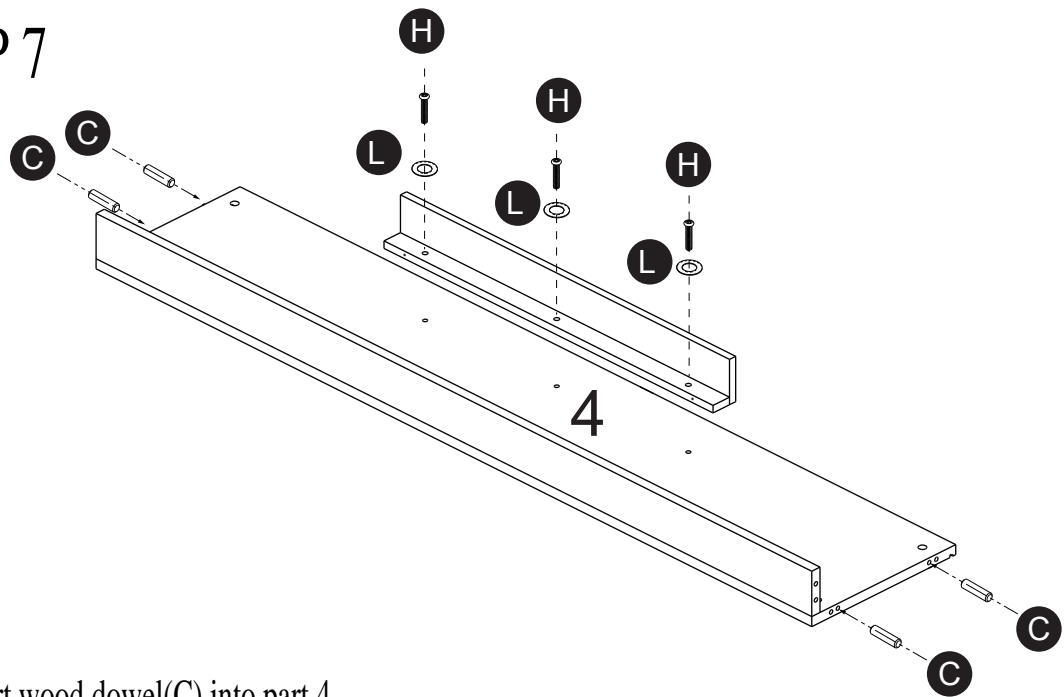
## STEP 6



Attach male cam lock(A) to part 4 and insert wood dowel (C) into part 4 .

Attach part 4 to part 5, then insert and secure female cam lock(B) to part 5 to lock it.

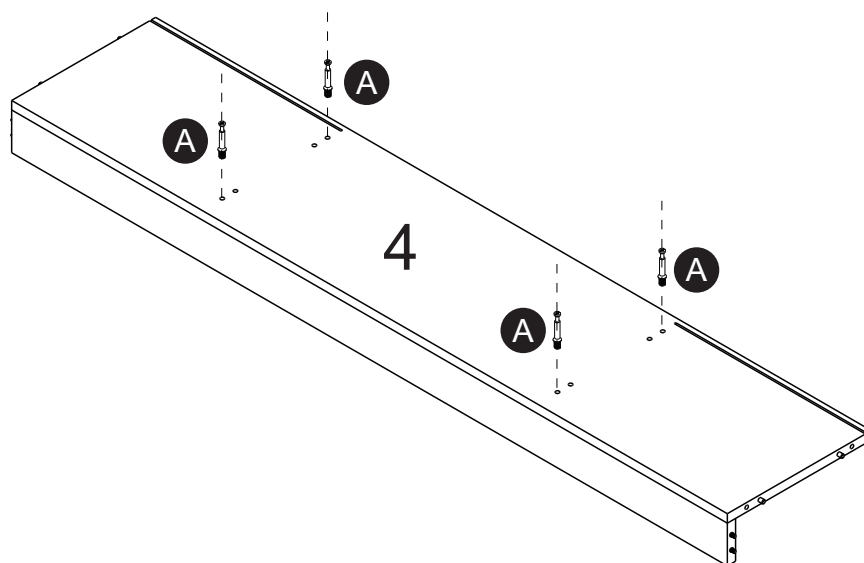
## STEP 7



Insert wood dowel(C) into part 4.

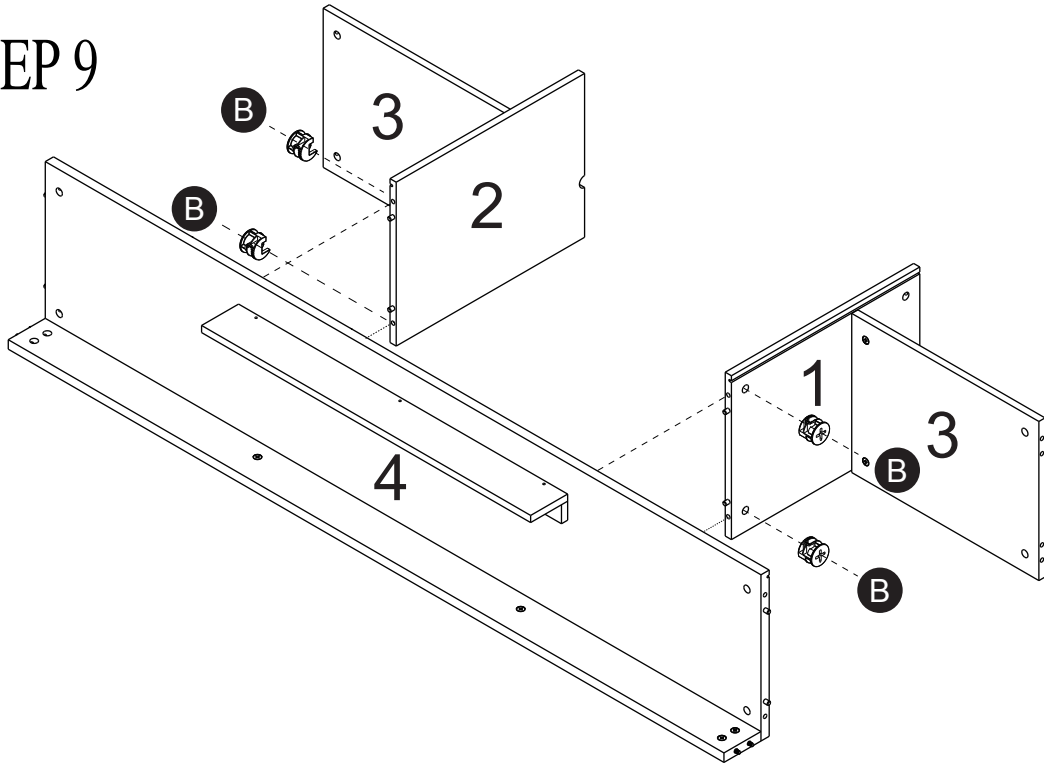
Attach part 13, 14 to part 4 using bolt(H) and shim(L).

## STEP 8



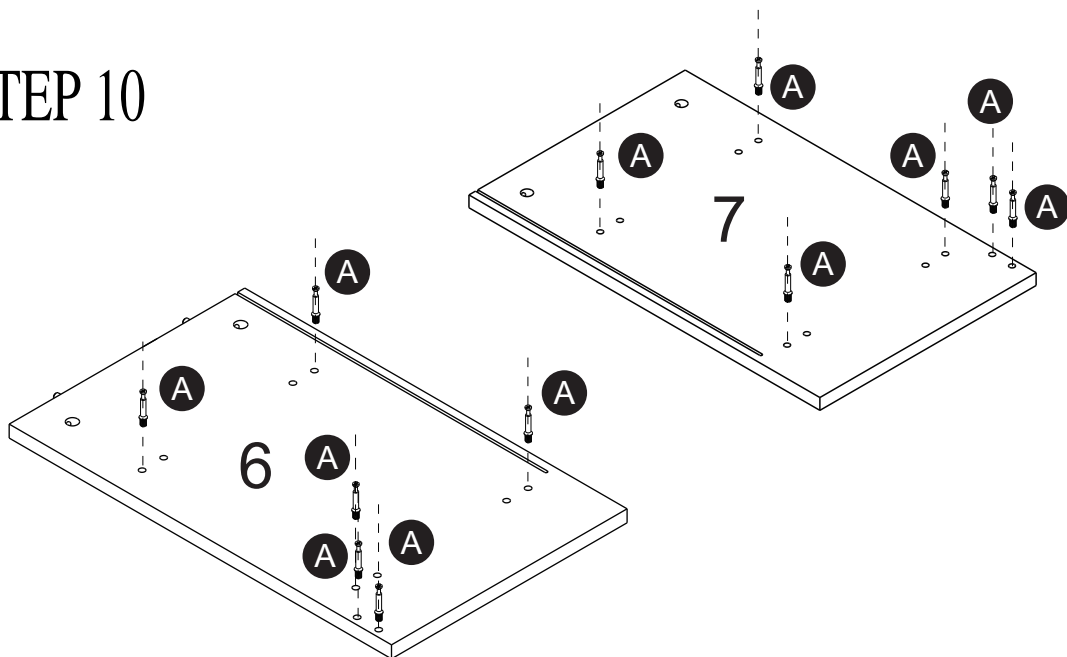
Attach male cam lock(A) to part4

## STEP 9



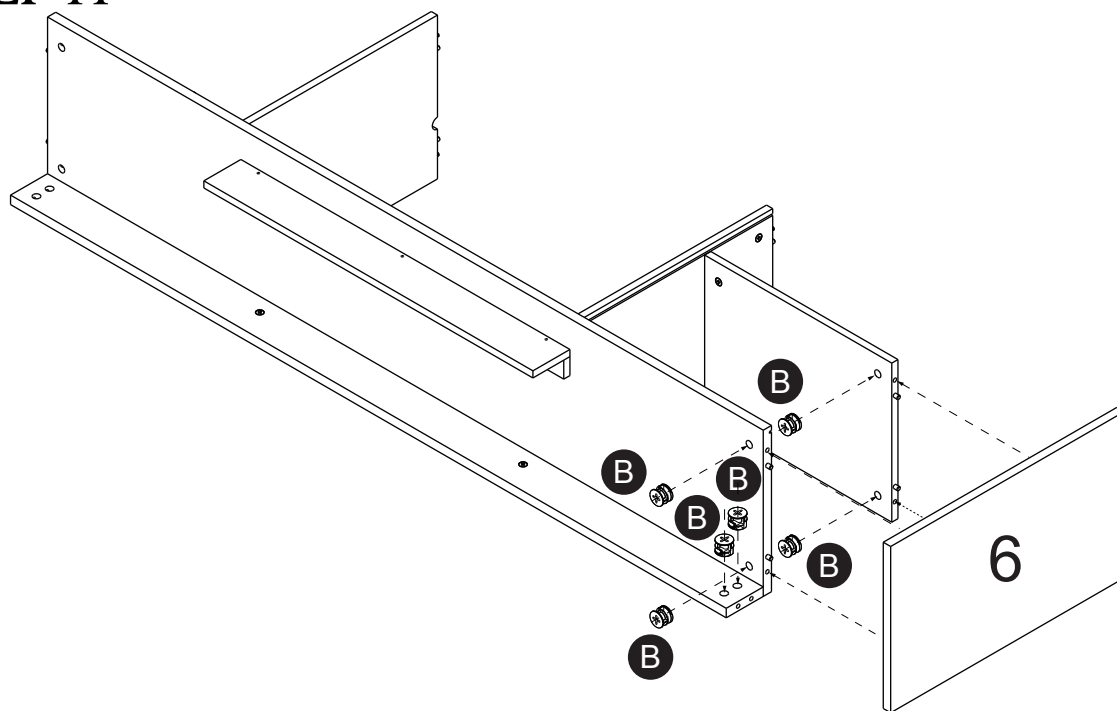
Attach part 4 to part 1,2 , then insert and secure female cam lock(B) to part 1, 2 to lock it.

## STEP 10



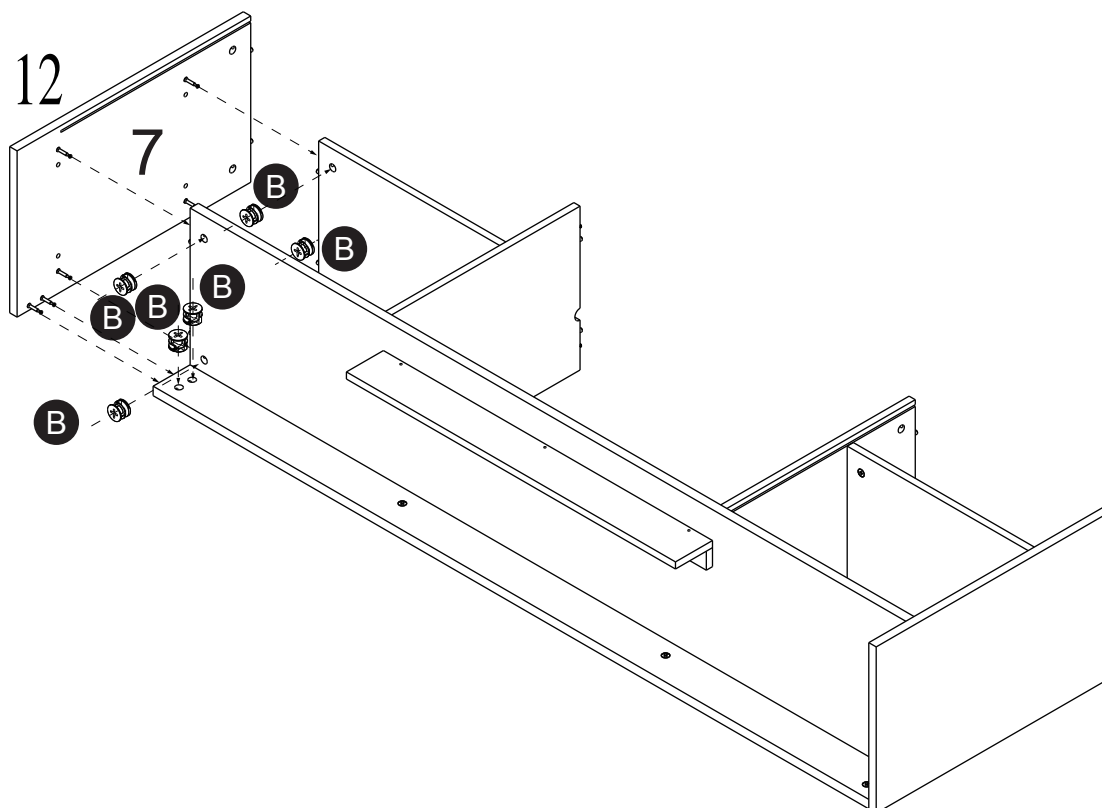
Attach male cam lock(A) to part 6, 7.

## STEP 11



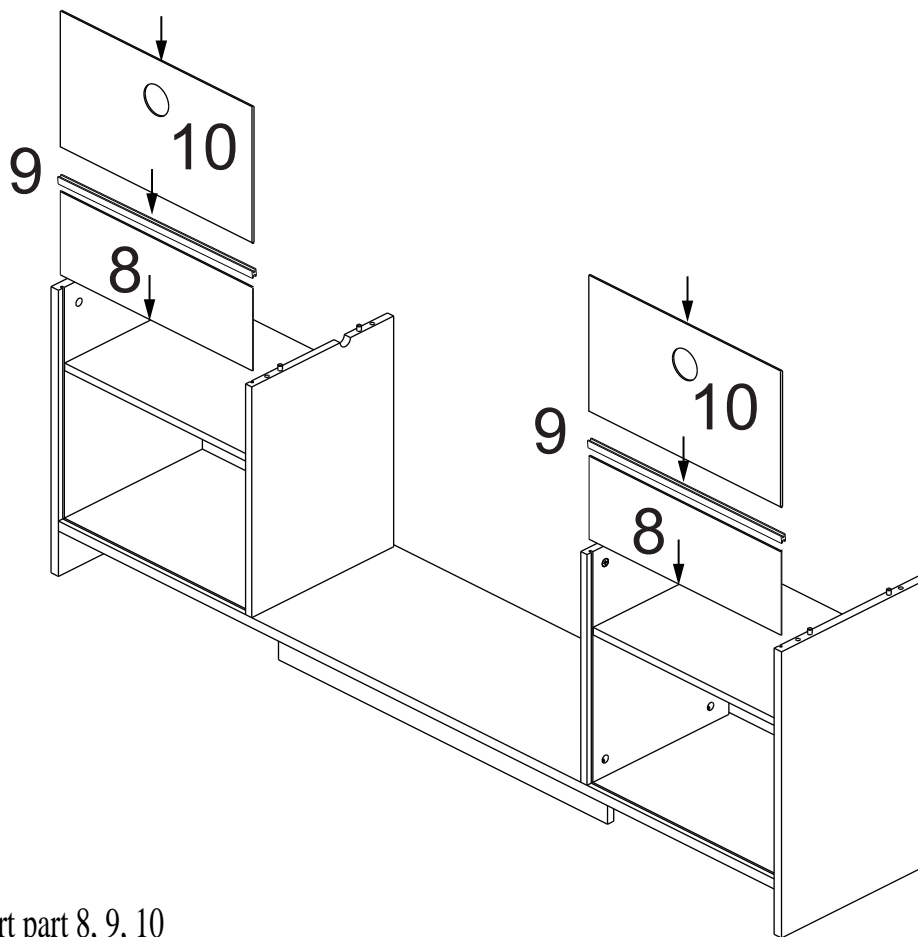
Attach part 6 to part 3,4 , then insert and secure female cam lock(B) to part 3, 4 to lock it.

## STEP 12



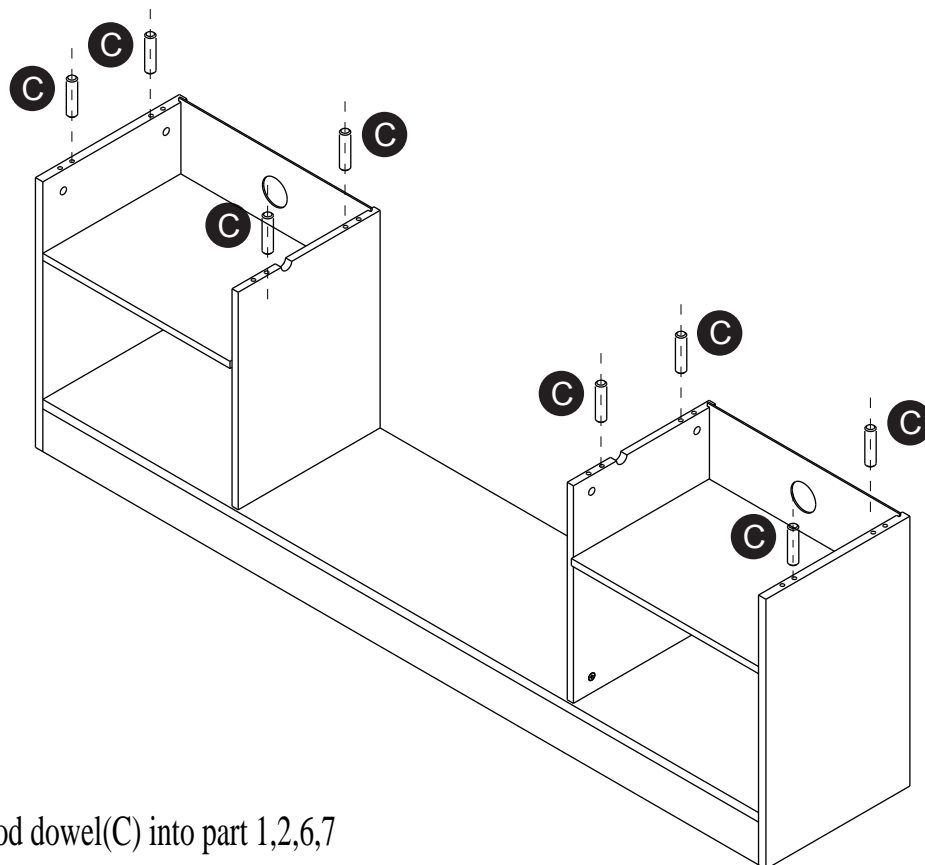
Attach part 7 to part 3,4 , then insert and secure female cam lock(B) to part 3, 4 to lock it.

# STEP 13



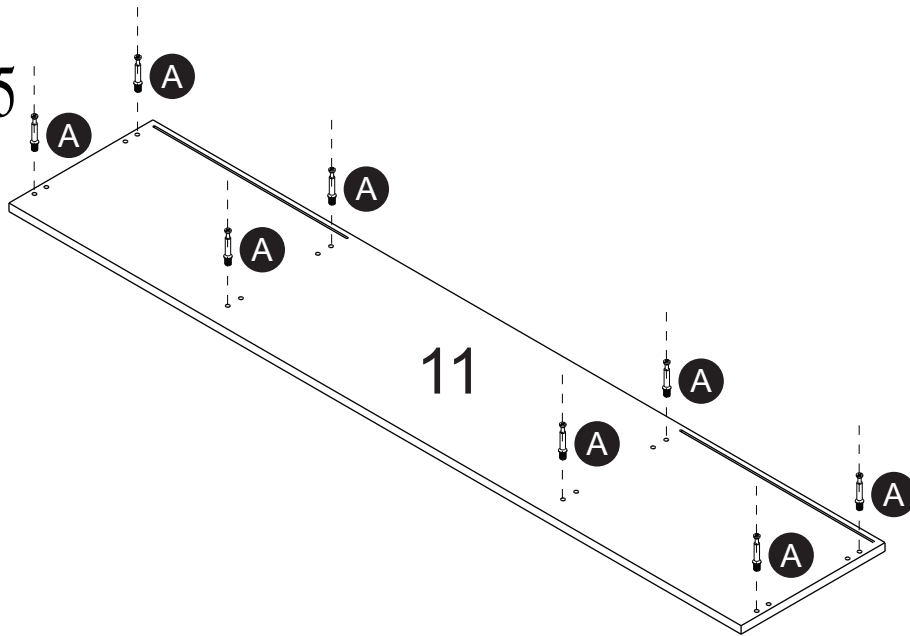
Insert part 8, 9, 10

# STEP 14



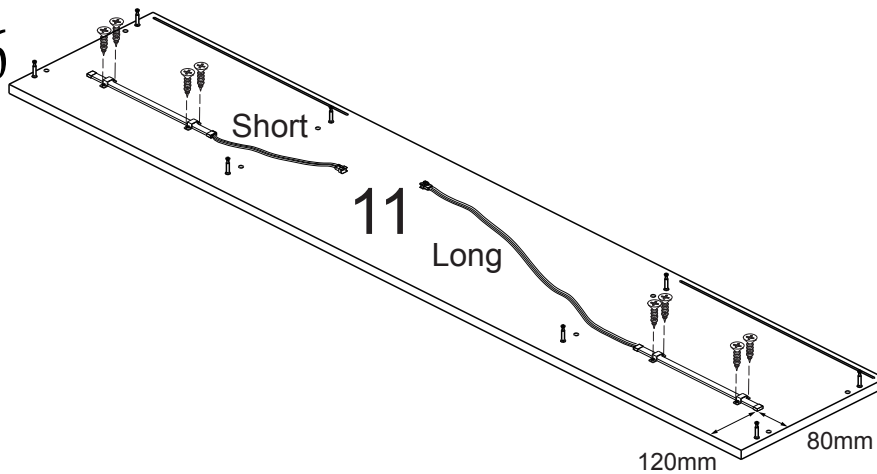
Insert wood dowel(C) into part 1,2,6,7

## STEP 15



Attach male cam lock(A) to part 11.

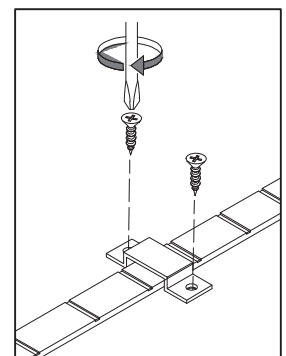
## STEP 16



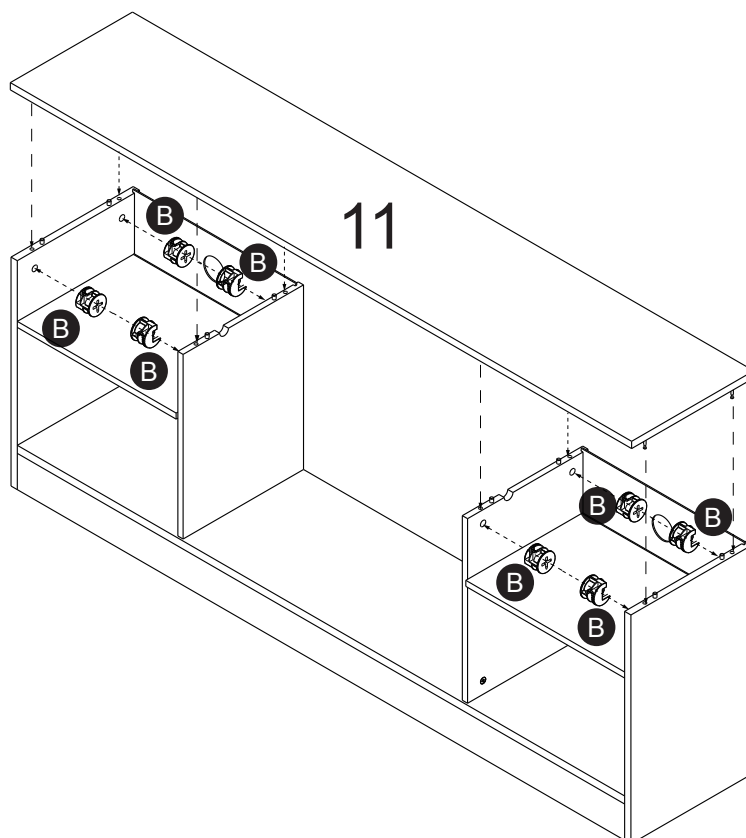
Attach LED lights to part (11)

Note: Assembly of LED Light is optional.

You can find buckles and screws in the box of the fireplace

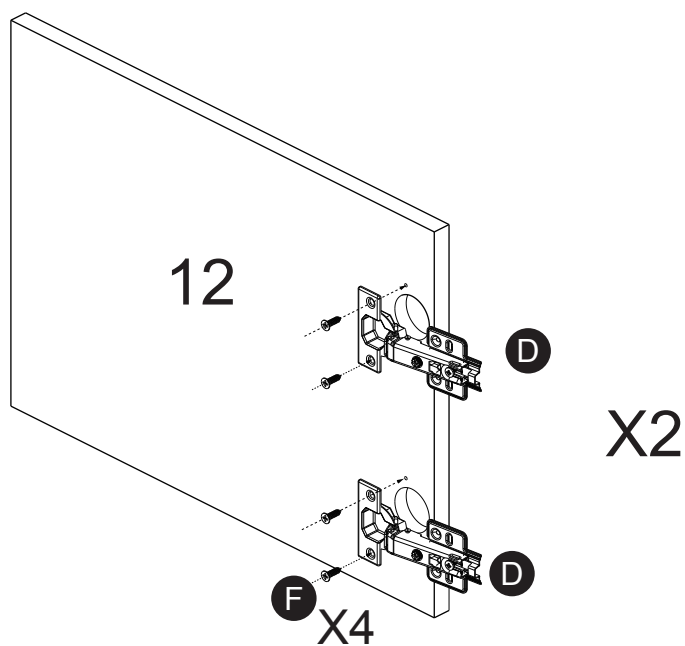


## STEP 17



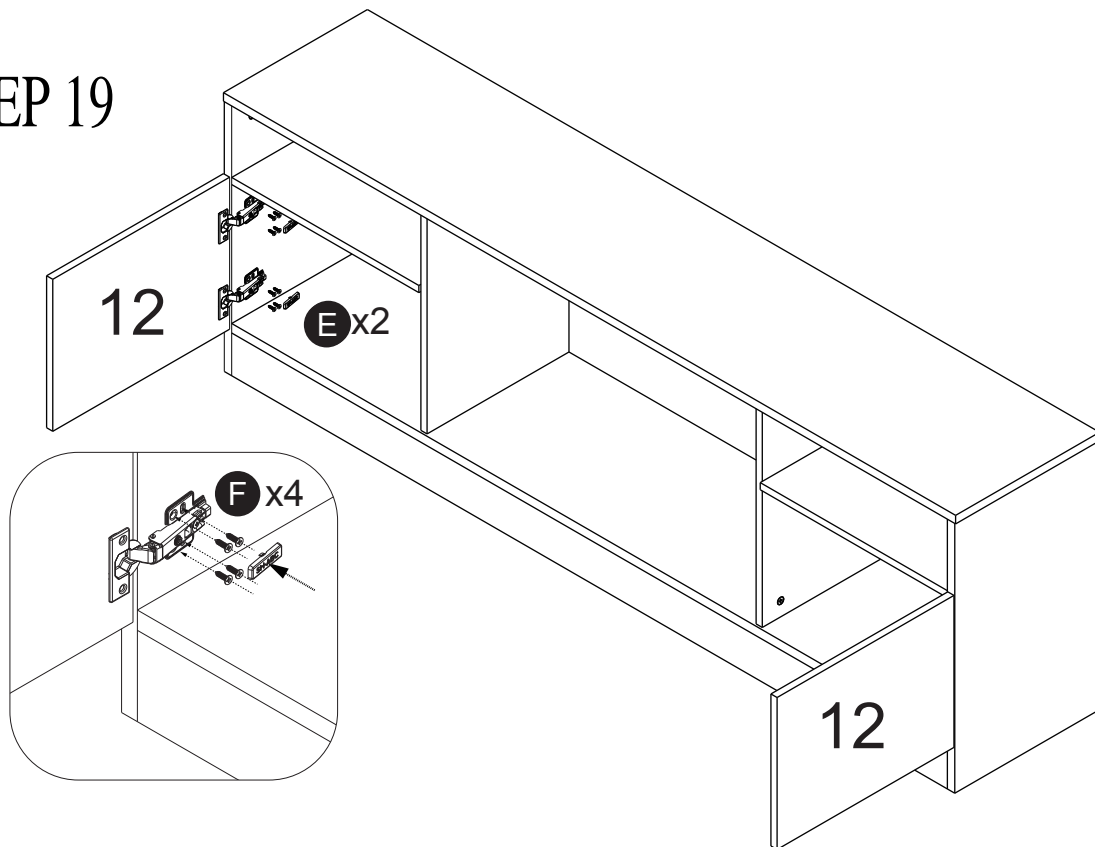
Attach part 11 to part 1,2,6,7, then insert and secure female cam lock(B) to part 1,2,6,7 to lock it.

## STEP 18



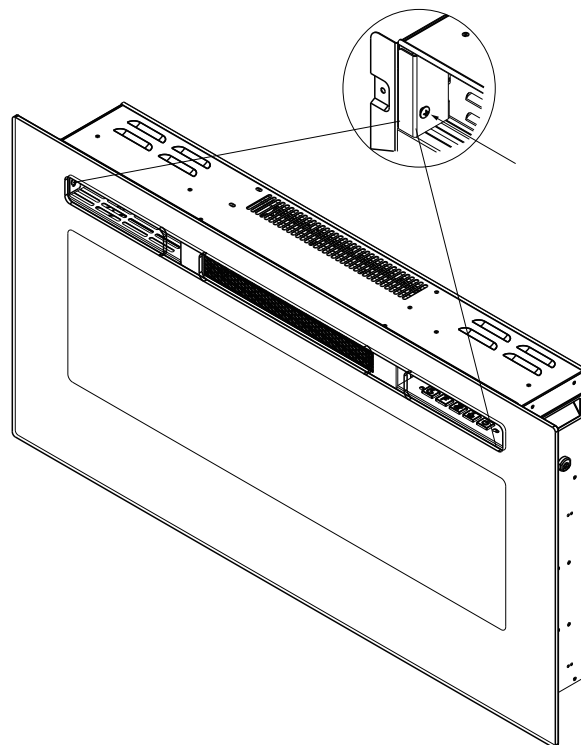
Attach Hinge(D) to part 2 using medium screw(F).

## STEP 19



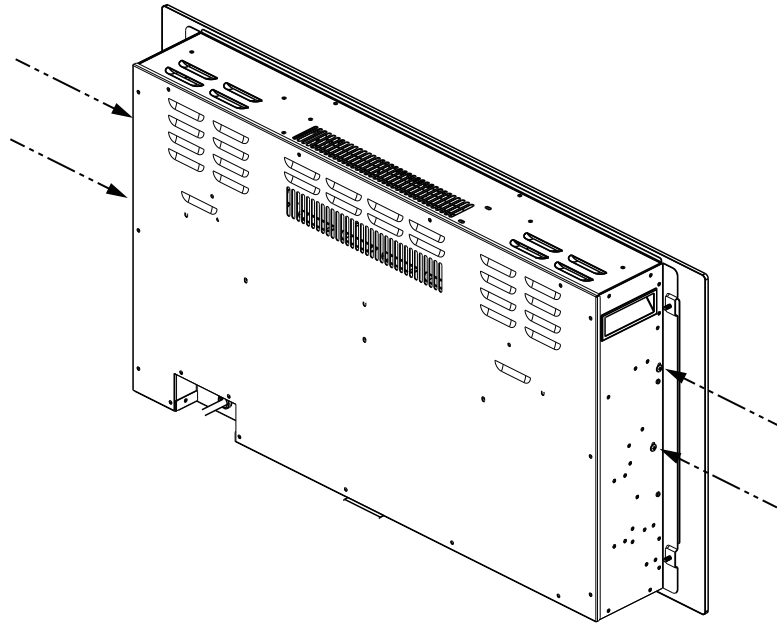
Attach part 12 to part 6, 7 using hinge cover(E) and medium screw(F).

## STEP 20



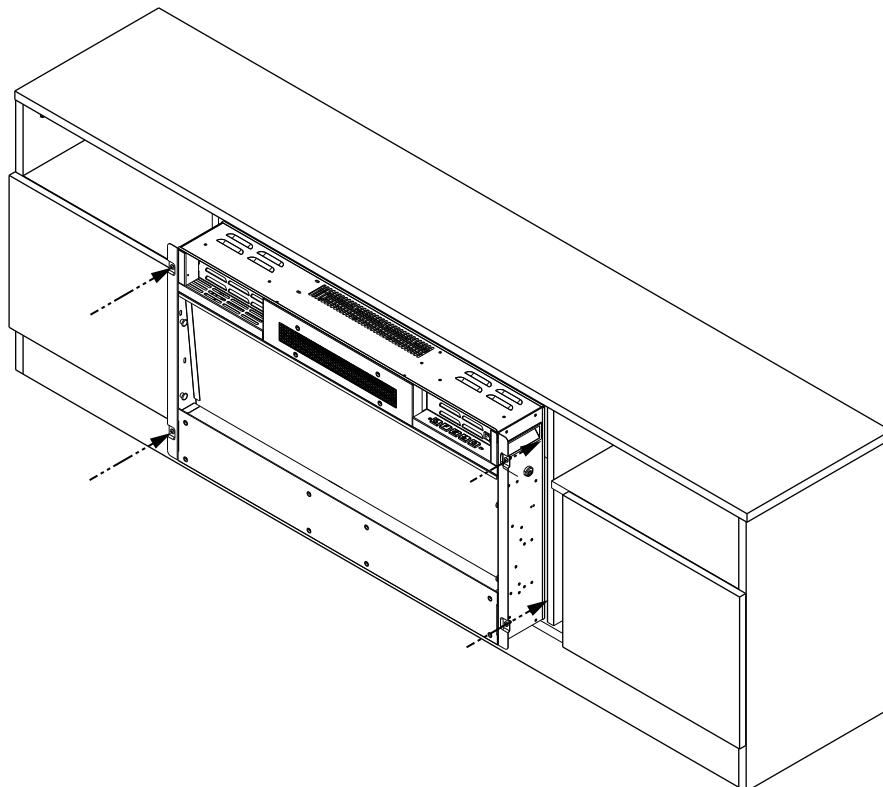
Remove two screws from the front of the heater

## STEP 21



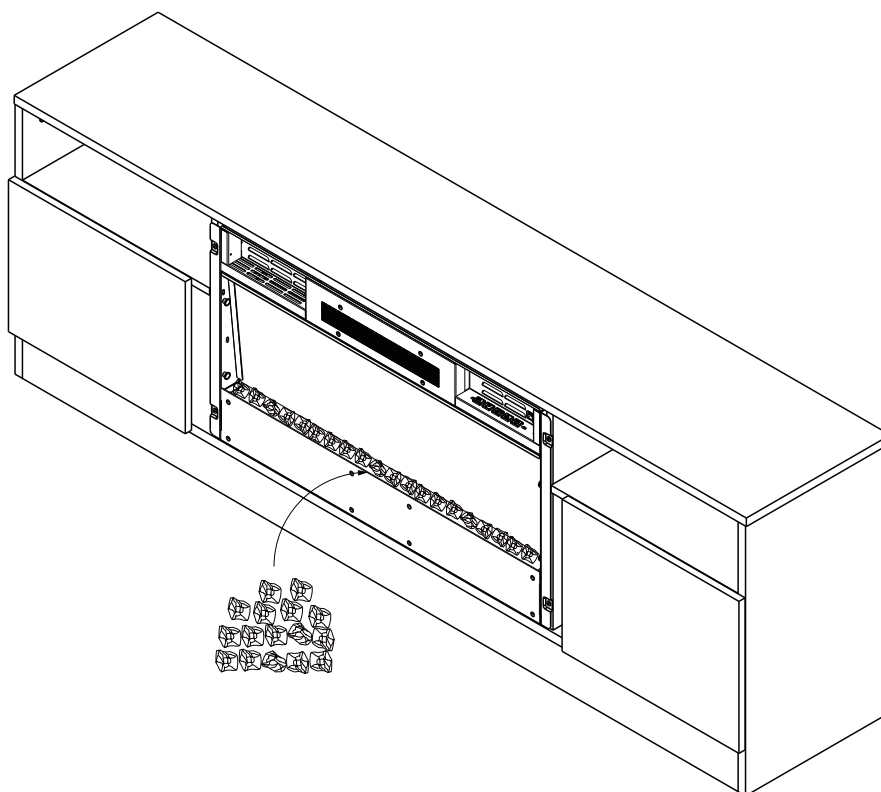
Remove four silver screws from the sides of the heater.

## STEP 22



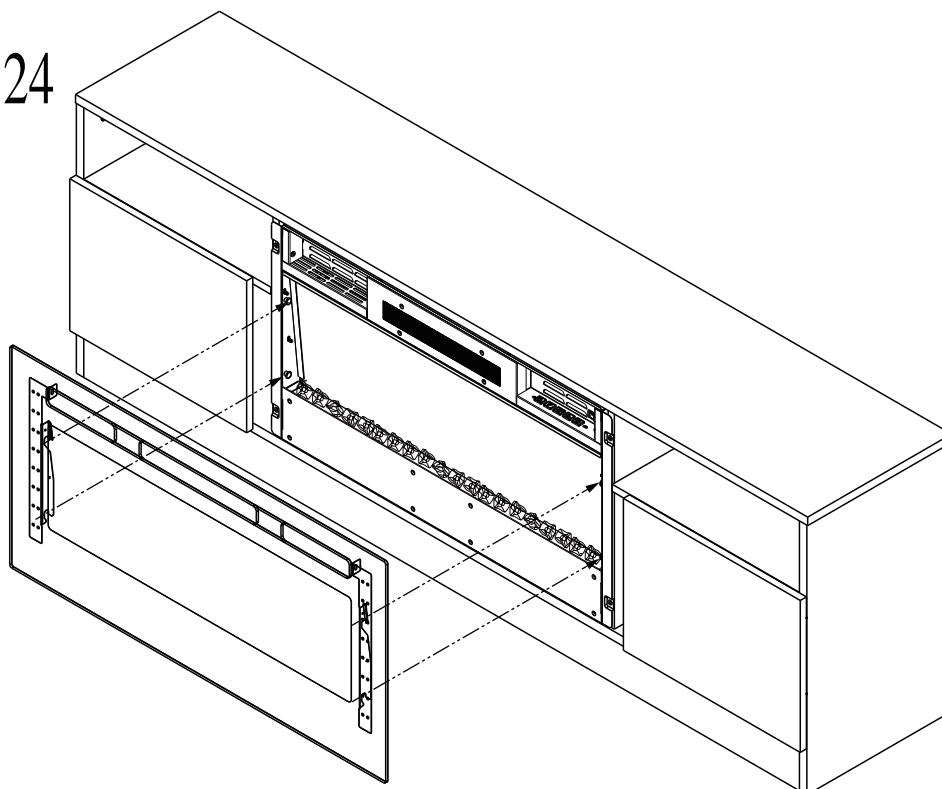
Take the glass from the appliance first, then gently put the appliance to the mantel, then using screws to lock it.

## STEP 23



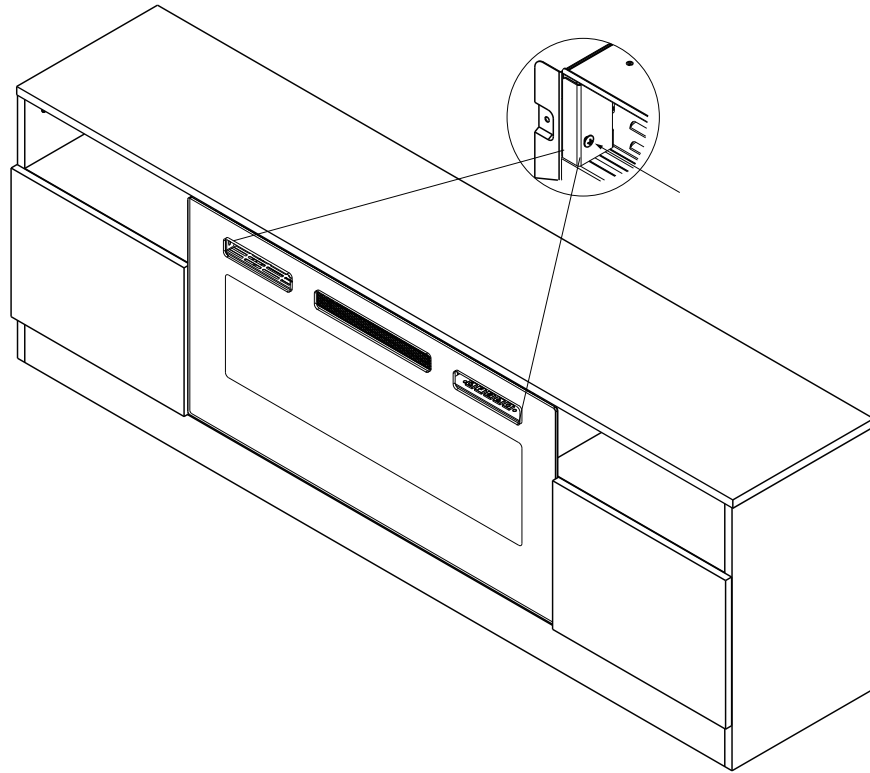
Put crystal stone to bed

## STEP 24



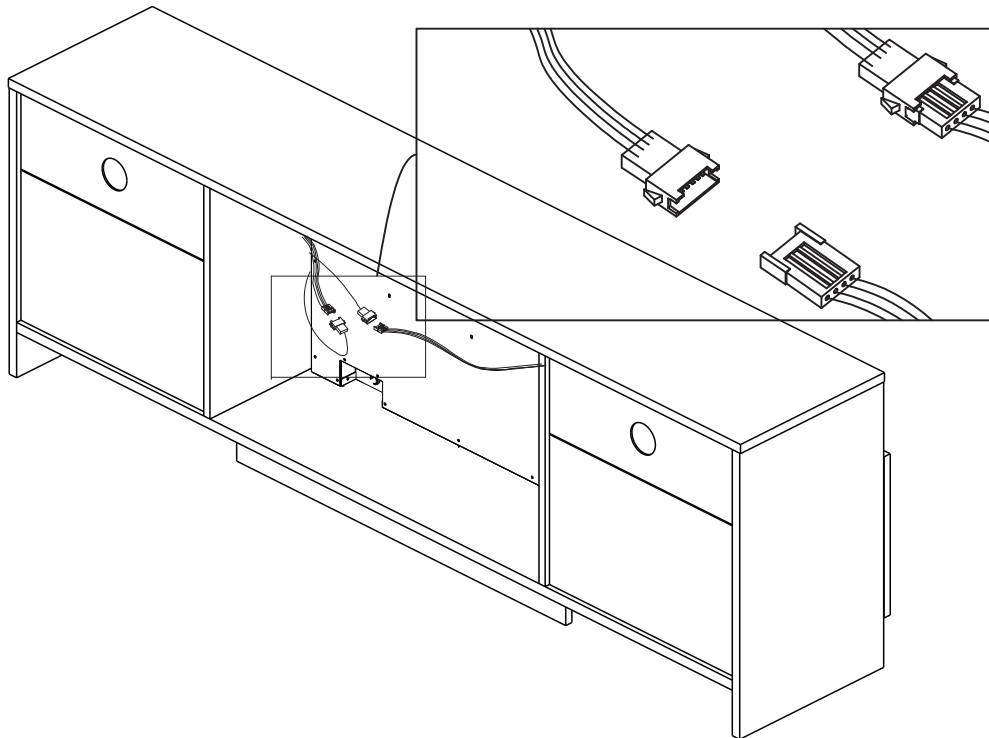
Place the front panel lock the appliance

## STEP 25



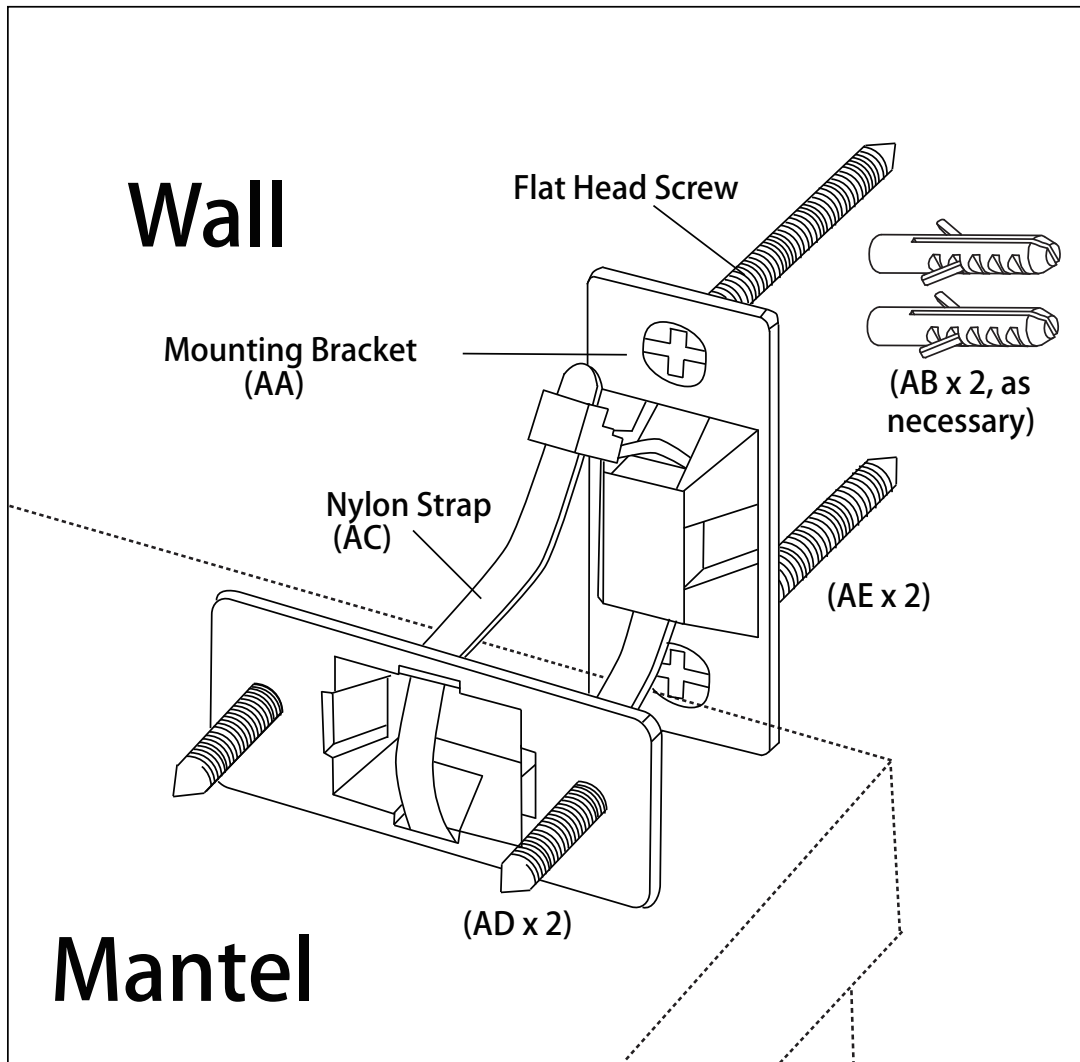
Lock the tempered glass using screws provided

## STEP 26



Connect the wire terminal block

## assembly anchoring the media console



## care and maintenance



- Do not use abrasive or chemical cleaners. Discolouring or damage to finish may result.

Clean media console with a non-abrasive cloth. Clean as often as necessary.

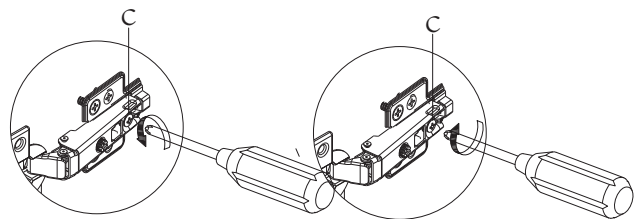
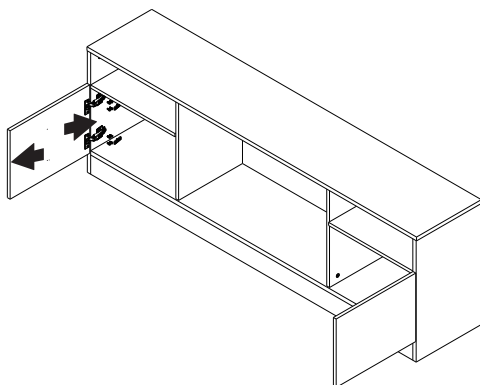
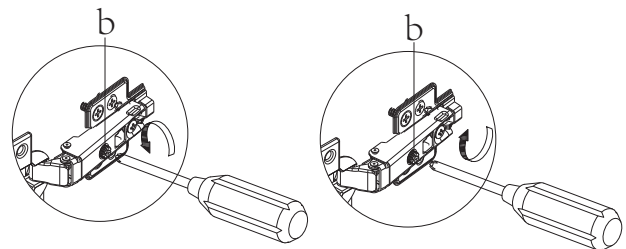
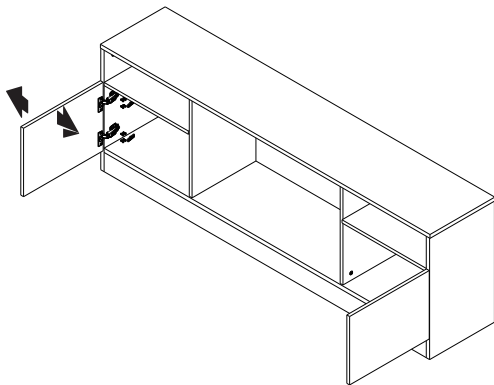
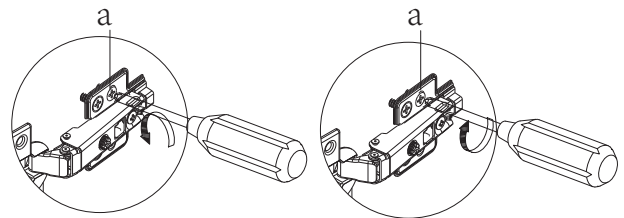
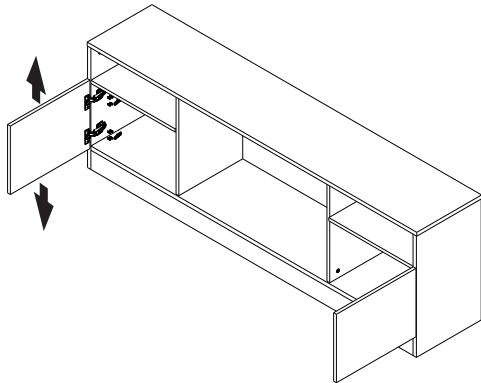
### note:

Excessive sun exposure may cause discolouring or fading of media console finish.

If you need to adjust the doors, do so in the following manner.

To adjust door up or down, loosen screws (a) on both hinges, adjust door, and retighten screws.

To adjust door in or out, loosen screws (c) on both hinges, adjust door, and retighten screws.



---

## HOWARM

You've reached the end of the guide. With proper use and regular care, the product will continue to deliver reliable performance and comfort for years to come. If you ever need assistance, our support team is always ready.

---